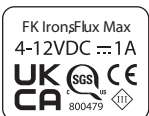




FLUX MAX™

The Power is Yours

USER MANUAL

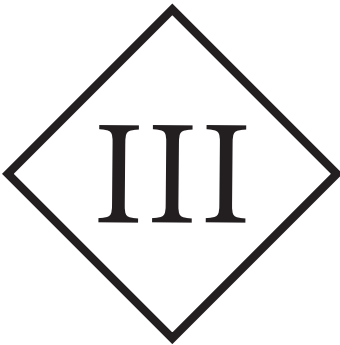


2022

INDEX

Safety Notice	3
Intro	4
Overview	5
Features	6
Detaching the PowerBolt II	7
Connecting your Machine	8
Adjusting Needle Depth	9
Additional Information & Troubleshooting	10

SAFETY NOTICE



CLASS III SYMBOL

A Class III appliance is designed to be supplied from a separate/safety extra-low voltage (SELV) power source. The voltage from a SELV supply is low enough that, under normal conditions, a person can safely come into contact, without the risk of electrical shock. The extra safety features built into Class I and Class II appliances are, therefore, not required. For medical devices, compliance with Class III is not considered sufficient protection, and further, more-stringent regulations apply to such equipment.

TECHNICAL DATA	
Operating Voltage:	4-12V DC
Current:	UP TO 1.0A
Ambient Temperature:	+10 to +35 °C
Relative Humidity:	30 to 75%
Dimensions (Ø X L):	H72 x W30 X L27mm
Weight:	Approx. 206g (7.2oz)
Charging Port:	USB-C



BARRIER PROTECTING YOUR MACHINE

We strongly suggest the use of barrier products to protect your machine. For a visual demonstration of barrier protection methods, please visit our FK Irons YouTube channel.

This device is only for use by trained tattoo artists and not for use by children or persons of reduced physical, sensory or mental capabilities.



Flux Max

Take your skills to the max with the ultimate tool.

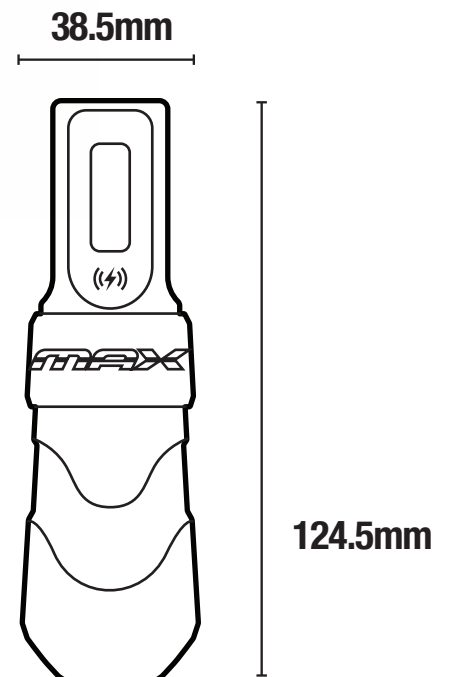
More control, more convenience and more innovation.

OVERVIEW



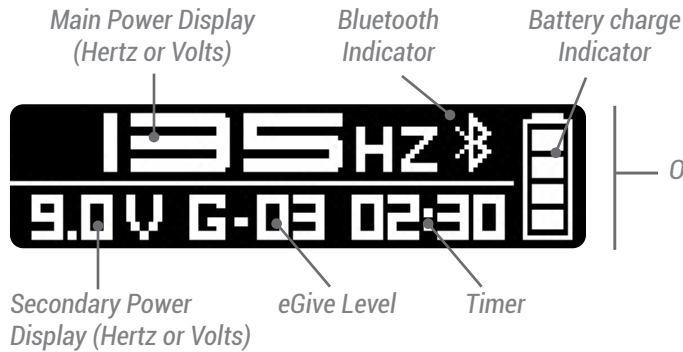
SPECIFICATIONS

- Output Voltage: 4-12V
- Increment/decrement voltage interval: 0.5 or 0.1V*
- Maximum output current: 1A
- Charger Input: USB-C
- Size: H 124.5mm x W 38.5mm
- Weight: 206g (7.2oz)
- Battery Life: ~ 6-10 Hours
(based on operating parameters)



FEATURES

THE POWERBOLT II



Battery Charge: 4 bars = 100%, 3 bars = 75%, 2 bars = 50% and 1 bar = 25%.
Single bar will blink to indicate when there is approximately 5 minutes left of operation.

Note: Screen will switch to sleep mode after **15 seconds** when machine not in use.

Press the power button to wake.

Charging: When USB-C is plugged in, screen mode will show battery charging.
For best results, use provided charging cable.



Modes Menu: Hold the power button (center button) for **3 seconds** to display built-in menu. Keep holding power button to cycle through menus. Release to stay on a chosen screen.



eGive: Use the up and down buttons to select level. **Level 0** = disabled, **Level 1** = Hard, **Level 2** = Medium and **Level 3** = Soft. When changing eGive please allow machine to finish sensing needle before using.



Footswitch: On/Off select with Up/Down buttons. The Killswitch will remain connected until user disconnects it in the PowerBolt II menu.



Timer: Start/Stop select with Up/Down buttons. The timer is 0-24 Hrs in one minute intervals, once timer is stopped it resets back to zero.



Display: Use Up/Down buttons to select Voltage or Hertz as main power display.



Voltage: Use Up/Down buttons to select increments of 0.1 or 0.5 Volts.



Screen Orientation: Use Up/Down buttons to select left or right hand operation.



Battery Disconnect: Use Up/Down buttons to select Cancel/Off. To reactivate PowerBolt II, plug into any USB-C



Device Reset: Hold the Up and Down buttons at the same time.

DETACHING THE POWERBOLT II

Get a firm grip and turn the body as shown with the Grip.

Twist the PowerBolt II as shown and remove.



Flux MAX shown in demonstration image.

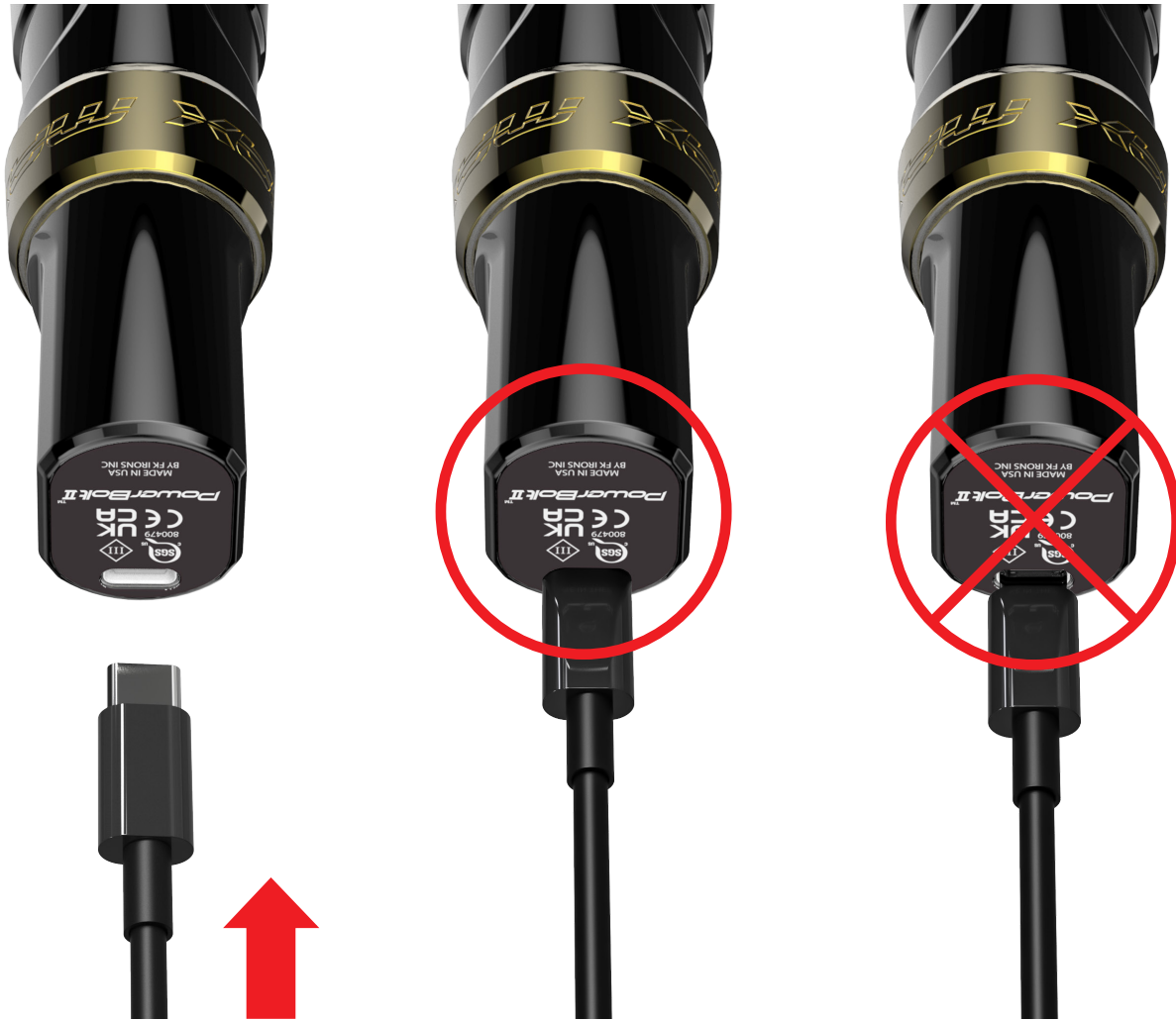
DETACHING THE POWERBOLT II

The PowerBolt II is compatible with the Flux Max, Flux, FluxS and the EXO. To detach your PowerBolt II, ensure you have a firm grip on the body of the Flux or EXO and Grip. Turn the

PowerBolt II counter-clockwise and pull out. To attach the PowerBolt II, push in while twisting clockwise. Ensure lock mechanism moves freely. PowerBolt II must sit correctly

to ensure power electric leads align correctly. Avoid contact with the PowerBolt II leads while recharging or servicing. Turn power off before removing battery from machine.

CONNECTING YOUR MACHINE



1 Plug the USB-C cord into the PowerBolt connector.

Best connection

Improper connection

HOW TO CHARGE YOUR MACHINE

Insert the provided USB-C cable into the back of the PowerBolt II and connect to a Hover or power socket. Make sure the cable is properly seated and is fully inserted into PowerBolt II. The PowerBolt II is not designed to operate while plugged in.

The USB-C connection is intended only for charging your PowerBolt II. PowerBolt II can be recharged while not attached to the Flux Max. If connecting to a Hover, the charge speed will be up to 1.0 A.

ADJUSTING NEEDLE DEPTH

ADJUSTING NEEDLE DEPTH

To adjust needle depth, hold the machine body and PowerBolt II while turning the Grip. *A counter clockwise turn decreases depth, while a clockwise turn increases depth (also known as needle hang).*

Each time you turn the grip you can feel the tactile feedback of the ratcheting mechanism. Each "click" displaces your needle 0.2 mm and allows you to set your needle precisely without involuntarily turning while tattooing.

Increases needle depth



Turning the grip as shown increases needle depth.

Decreases needle depth



Turning the grip as shown decreases needle depth.

ADDITIONAL INFORMATION

VOLTAGE PARAMETERS

While voltage is a parameter that will vary from artist to artist, the PowerBolt II has been tested to operate at a minimum voltage of 4 Volts to a maximum voltage of 12 Volts.

Depending on the type of needle configuration, or brand you use, feel free to adjust the voltage to obtain the desired performance.

WARRANTY

Darklab warrants that the device will perform efficiently when used as intended. Should this product prove to be defective due to manufacturing issues, Darklab will repair/replace the device free of charge. This warranty will be void if the device shows signs of having been tampered, disassembled, handled roughly, dropped, overexposed to moisture or damage resulting in compromised functionality.

HANDY TIPS

The following tips will help you get the most out of your PowerBolt II and avoid potential issues:

- Do not exceed the suggested voltage
- Use only FDA-approved cold sterilization solutions for disinfection
- **NOT AUTOCLAVABLE**

TROUBLESHOOTING

1.- Machine Manufacturer

FK Irons: 1771 NW 79th Avenue, Doral, Florida 33126

2.- Servicing Your Machine

As for any mechanical device, FK Irons strongly suggests that you service your device once a year to ensure all working parts are working as expected. This ensures the optimal condition of all working parts, including internal machine clean up and fresh lubrication. Routine servicing will ensure that your machine remains functioning as intended. Service is subject to fees.

3.- Warning

Disconnect machine from any power source before making any adjustments.

For service inquiries, please contact service@FKirons.com.

For additional tips and tutorials, please visit [Youtube.com/FKiron](https://www.youtube.com/FKiron)s